

MICRO SWITCH

FREEPORT, ILLINOIS, U S A
A DIVISION OF HONEYWELL
FED. MFG. CODE 91929

SWITCH-TOGGLE

CATALOG LISTING
2TL1-50 SERIES
CHART 1

MILITARY
STANDARD
NUMBER

CATALOG
LISTING

AVAILABLE
LOCKING
COMBINATIONS
FOR CONFIGURATION
SEE LETTERED
DETAILS

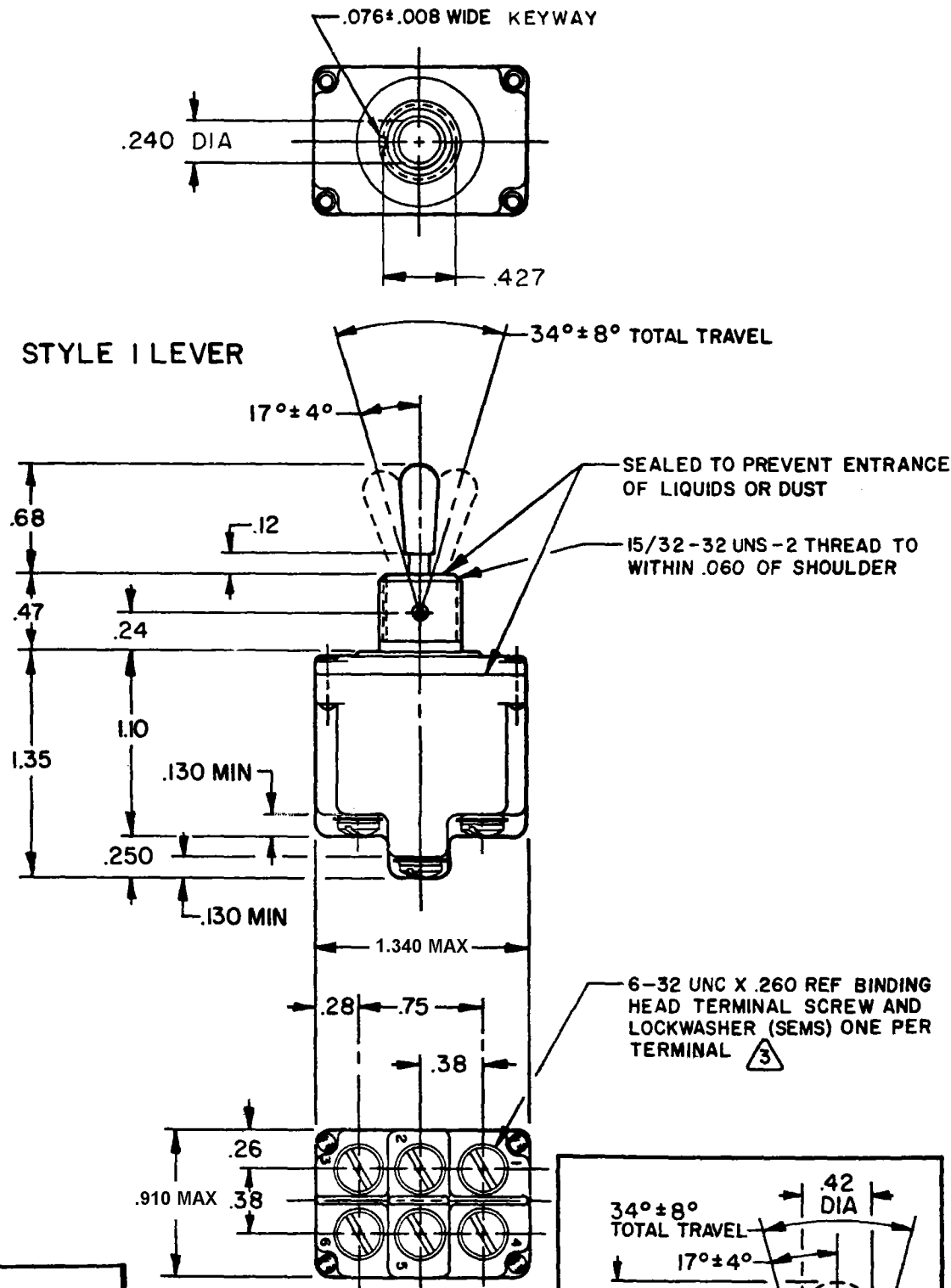
STYLE
NUMBER

MILITARY RATING (AMPS)

RESISTIVE LOAD			LAMP LOAD			INDUCTIVE LOAD		
DC VOLTS	AC VOLTS		28 VDC	125 VAC		28 VDC	125 VAC	
28	125	250	125	250	5	2	10	8

THIS DRAWING COVERS A PROPRIETARY ITEM AND IS THE PROPERTY OF MICRO SWITCH, A DIVISION OF HONEYWELL. THIS DRAWING IS NOT TO BE COPIED OR USED WITHOUT THE APPROVAL OF MICRO SWITCH.

27407-5	2TL1-50	NONE	1						
27408-5	2TL1-50	E, F, K, L, M, N	2	18	.75	.5	11	6	5



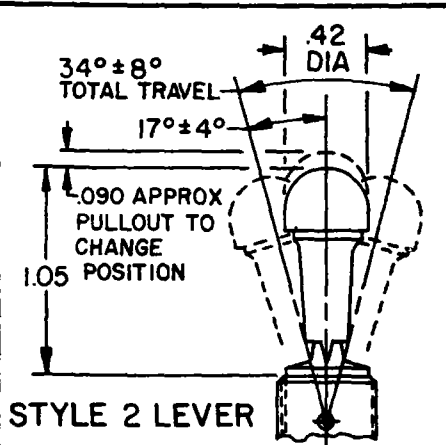
"A" LOCKED IN THREE POSITIONS	"B" LOCKED IN CENTER AND EXTREME POSITION (KEYWAY SIDE)	"D" LOCKED OUT OF CENTER POSITION	"E" LOCKED IN CENTER POSITION	"F" LOCKED IN EXTREME POSITION (OPPOSITE KEYWAY)		
"G" LOCKED IN EXTREME POSITION (KEYWAY SIDE)	"H" LOCKED OUT OF CENTER AND EXTREME POSITION (KEYWAY SIDE)	"J" LOCKED OUT OF CENTER AND EXTREME POSITION (OPPOSITE KEYWAY)	"K" LOCKED IN CENTER AND EXTREME POSITION (OPPOSITE KEYWAY)	"L" LOCKED OUT OF EXTREME POSITION (KEYWAY SIDE)		
"M" LOCKED OUT OF AND INTO EXTREME POSITION (OPPOSITE KEYWAY)	"N" LOCKED OUT OF EXTREME POSITION (OPPOSITE KEYWAY)	"P" LOCKED OUT OF AND INTO EXTREME POSITION (KEYWAY SIDE)				
CIRCUIT MADE WITH TOGGLE LEVER IN						
KEYWAY SIDE		CENTER		OPPOSITE KEYWAY		
MOMENTARY POSITION		MAINTAINED POSITION		MAINTAINED POSITION		

NOTES

- SWITCHES ARE CAPABLE OF WITHSTANDING A TEMPERATURE OF 160°F CONTINUOUSLY AT FULL RATED LOAD
- CIRCUIT DESIGNATION, MICRO SWITCH CATALOG LISTING AND MS NUMBER MARKED ON SIDE OF SWITCH
- FURNISHED UNASSEMBLED
- FOR TERMINAL COVER SEE MICRO SWITCH CAT. LIST. 5PA8
- KEYWAY SHOWN ON LEFT SIDE
- SUFFIX LETTER MUST BE ADDED FOR DESIRED TYPE OF TOGGLE LOCKING. SEE CHART FOR AVAILABLE LOCKING COMBINATIONS
- THESE SWITCHES ARE QUALIFIED UNDER MIL-S-3950

SCALE FULL
DO NOT SCALE PRINT
UNLESS OTHERWISE NOTED
DIMENSIONS ARE IN INCHES
TOLERANCES ARE:
ONE PLACE (.0) ±.030
TWO PLACE (.00) ±.015
THREE PLACE (.000) ±.005
ANGLES ±.015
WEIGHT .15 LB APPROX

10A-125,250 OR 277VAC
1/4HP-125VAC; 1/2HP-250,277VAC
3A-125VAC "L" CODE L192



CATALOG LISTING
2TL1-50 SERIES CHART 1
 PAGE 1 OF 1
 RELEASE NO. CO-78465
 REPLACES 2TL1-50 SERIES
 ISSUE **4**
 REVISIONS:
 A CO 78047
 S AD 20 AUG 94
 B CO 94432
 C SL 23 NOV 99
 C 0003011
 KRB 05 FEB 04
 MDM 06 FEB 04
 CHECK
 KAG 23 JUN 04
 CHECK
 KDR 10 JUN 94
 CHECK
 FORMTEK
 DRAWN